

MINIDOSE

Liquid Nitrogen Injection System

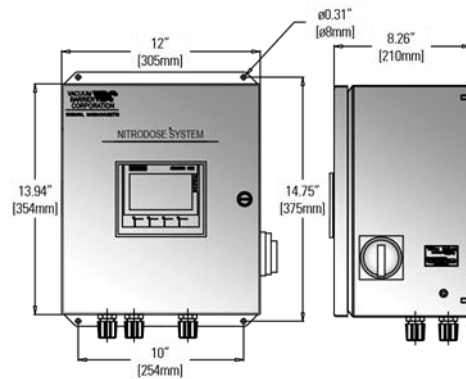
Liquid nitrogen dosing system name for its size, operating speed and cost.

Features unique to MiniDose:

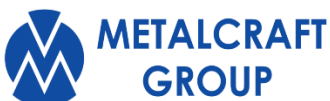
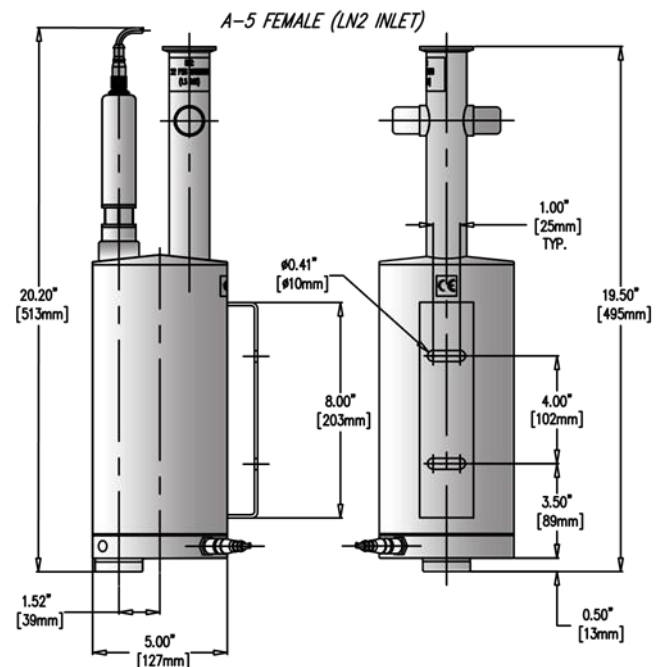
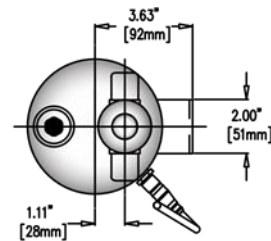
- Accurate to +/- 5% dose weight
- Single dose capability for lab testing
- Universal language symbols
- Equipped with NEMA quick connects
- Automatic synchronization/speed compensation
- No container/no dose function

Since 1958

Control panels



Doser views



Features	MINIDOSE
Maximum Discrete Dosing Speed (CPM)	200
Siemens PLC	S7-1200
Siemens KTP 700, 4" touchscreen HMI	color
Minimum Dose Duration	25 ms
Real-Time Graphical User Interface (GUI)	std
Continually self-monitored for alarm conditions	std
Maximum direct LN ₂ feed pressure, psi (bar)	22 (1.5)
Electronic dosing valve	std
Clean hygienic design	std
Lowest dosing pressure, 0.3 psi (0.02 bar)	std
Self-Generating N ₂ purge	std
Sub-cooled LN ₂ to improve dosing accuracy	std

4-year warranty on all systems.