

# EasyDose G2 Lite, G2, and G2 Plus

[225mm]

## Liquid Nitrogen Injection System

Liquid nitrogen dosing systems named for their simplicity of installation and operation with a system available to meet line speeds up to 2000 CPM.

Features standard to all models:

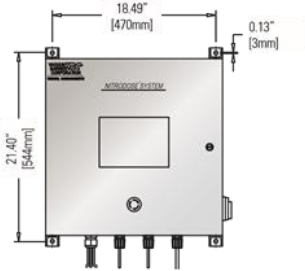
- Accurate to +/- 3 dose weight
- Maximum direct LN<sub>2</sub> feed pressure, 22 psi (1.5 bar)
- High cycle-life electric dosing valve
- Self-generating N<sub>2</sub> purge
- Sub-cooled LN<sub>2</sub> to improve dose accuracy
- Optional automatic CIP protection

Since 1958

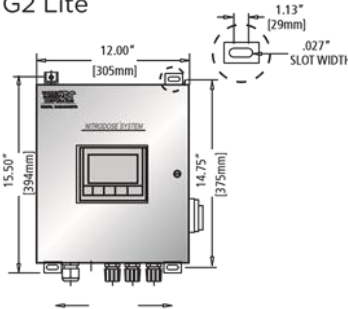
### Control panels



### G2 and G2 Plus



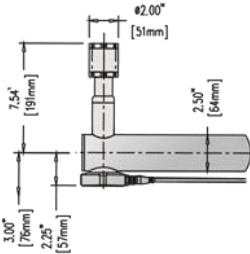
### G2 Lite



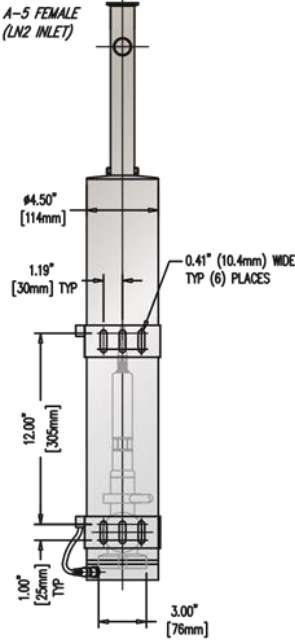
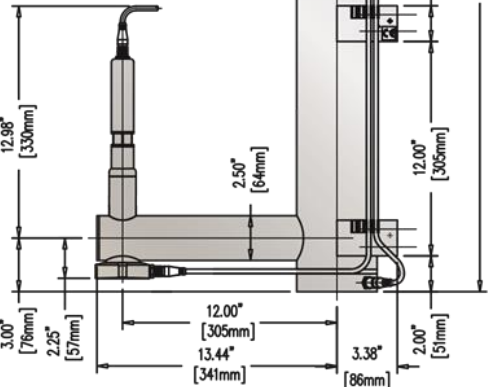
### Doser views



### Pneumatic valve



### Electric valve



| Features  | EasyDose G2 Lite  | EasyDose G2 | EasyDose G2 Plus |
|---|-------------------|-------------|------------------|
| Maximum Discrete Dosing Speed (CPM)   | 450               | 450         | 2000             |
| Continuous Stream Capabilities  |                   | std         | std              |
| Allen Bradley PLC   |                   | ML1100      | ML1400           |
| Siemens PLC   | S7-1200           | S7-1200     | S7-1200          |
| AB Panelview Component 800, 7" touchscreen HMI                              |                   | color       | color            |
| Siemens KTP 700, 7" touchscreen HMI   | color (4")        | color       | color            |
| Minimum Dose Duration   | 25 ms             | 25 ms       | 6 ms             |
| Smartsync Technology  |                   | std         | std              |
| Accuracy by dose weight   | +/- 3%            | +/- 3%      | +/- 3%           |
| Real-Time Graphical User Interface (GUI)                                    | std               | std         | std              |
| Speed & Dose Compensation   | speed only        | std         | std              |
| Recipe Storage  |                   | 10          | 10               |
| Five on-board languages   | universal symbols | std         | std              |
| Continually self-monitored for alarm conditions                             | std               | std         | std              |
| Number of built-in alarm relays   |                   | 1           | 1                |
| Maximum direct LN <sub>2</sub> feed pressure, psi (bar)                     | 22 (1.5)          | 22 (1.5)    | 22 (1.5)         |
| Electronic dosing valve   | std               | std         | std              |
| Low-Profile Pneumatic Valve to fit confined spaces (50-100 psi/3.4-6.9 bar) | opt               | opt         |                  |
| Clean hygienic design   | std               | std         | std              |
| Lowest dosing pressure, 0.3 psi (0.02 bar)                                  | std               | std         | std              |
| Self-Generating N <sub>2</sub> purge  | std               | std         | std              |
| Sub-cooled LN <sub>2</sub> to improve dosing accuracy                       | std               | std         | std              |
| Automatic CIP Protection  | opt               | opt         | opt              |
| Directional Dose Dispersion blocks  |                   | opt         | opt              |
| Dosing Software for In-Line Fillers/Cappers                                 |                   | opt         | opt              |

**4-year warranty on all systems.**